

PROJECT SPECIFICATIONS

NOTES

PROJECT: STANDARD SYSTEMS
VOLTAGE: 600V / 3000A / 3 WIRE
AMPERAGE: 3000A
NUMBER OF PHASES: 3
NUMBER OF WIRES: 3 IN TREFOIL FORMATION
BOND CABLE: 2X 250 MCM BARE COPPER
CABLES PER PHASE: 6X 535 KCMIL / IC / CU / DLO / RW90 / FT4
TEMPERATURE - AMBIENT/RISE: 30°C / 60°C
SHIELD: NONE
INSULATION: 1KV

CABLE APPROVALS: CSA
ENCLOSURE: 6061-T6 ALUMINUM 1/4" THICK (SIDE RAILS)
ENCLOSURE MATERIAL: 5052-H32 ALUMINUM 1/8" THICK (COVERS)
ENCLOSURE SIZE: 10" HIGH x 22" WIDE
CABLE SUPPORT SPACING: 36" MAX. HORIZONTALLY, 18" MAX VERTICALLY
CABLE SUPPORT MATERIAL: GP03 - 1/2" THICK
VENTILATION: VENTILATED COVERS
ENCLOSURE CERTIFICATION: CSA C22.2 No. 126.1-02
FLANGE CONSTRUCTION: 6061-T6 ALUMINUM 1/4" THICK WATER TIGHT CONSTRUCTION

1. LINEAR WEIGHT OF CABLE BUS SYSTEM IS APPROX 90 KG/M
2. INDOOR / OUTDOOR CONSTRUCTION C/W VENTILATED TOP AND BOTTOM COVERS
3. MAXIMUM DISTANCE BETWEEN CABLE BUS MOUNTING SUPPORT MEMBERS IS 12'
4. PRELIMINARY DRAWINGS ONLY, NOT FOR CONSTRUCTION
5. ALL DIMENSIONS ARE TO BE CONFIRMED BY FIELD MEASUREMENTS

NAMEPLATE

5 STRATHEARN AVENUE
 BRAMPTON, ONTARIO
 L6T 4P1

POWERBUSWAY

DATE OF MFG:

CABLE BUS SERIAL NUMBER: XXXX-1022

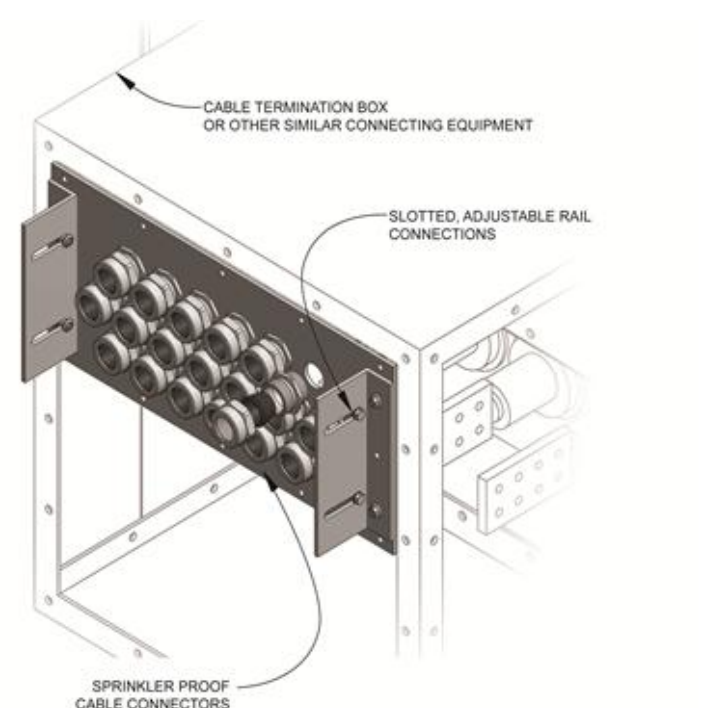
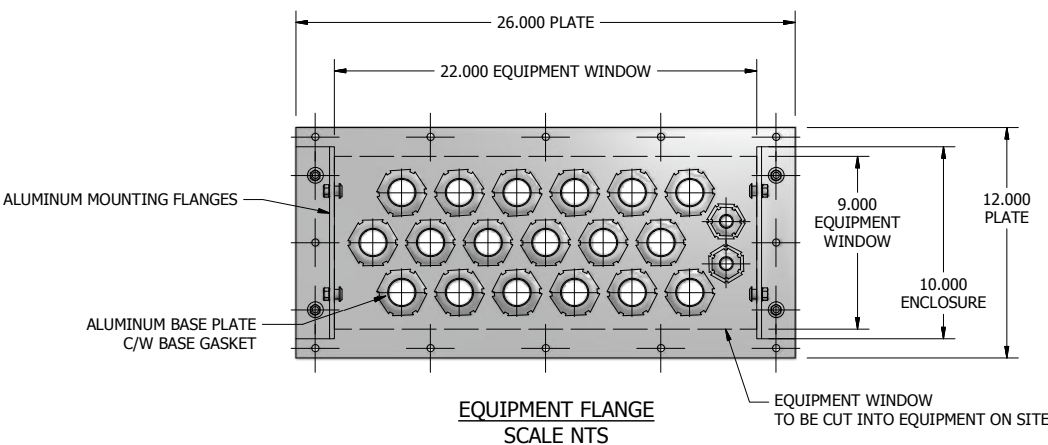
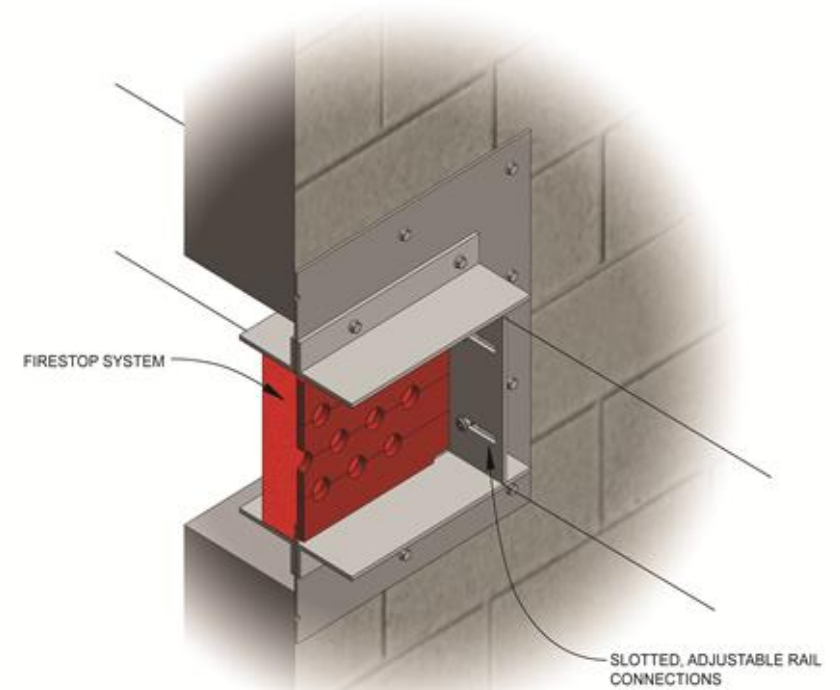
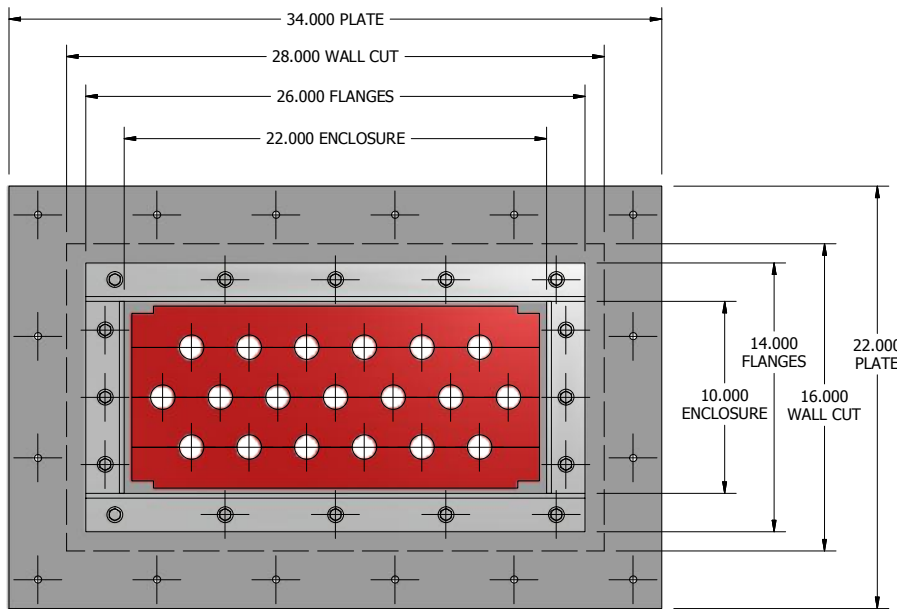
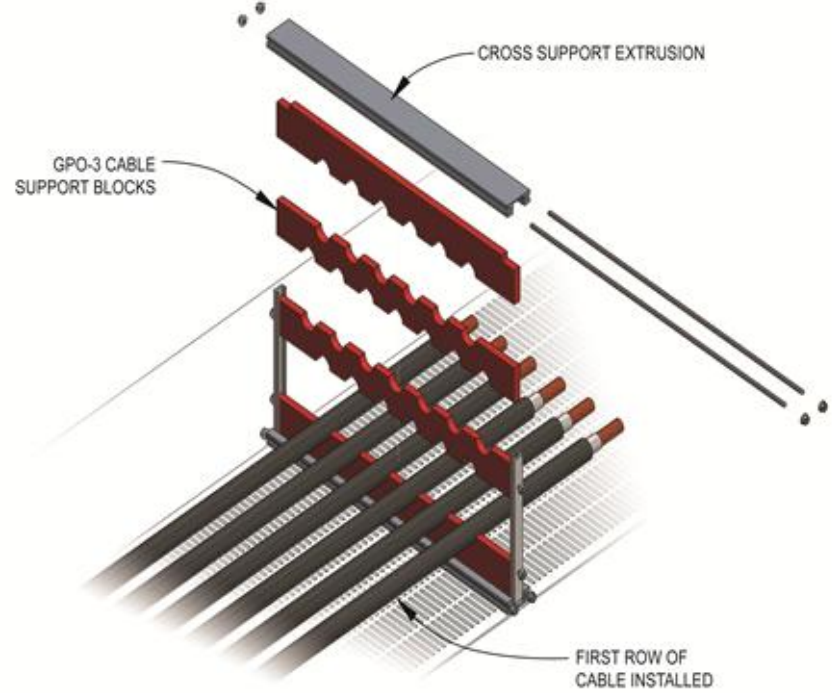
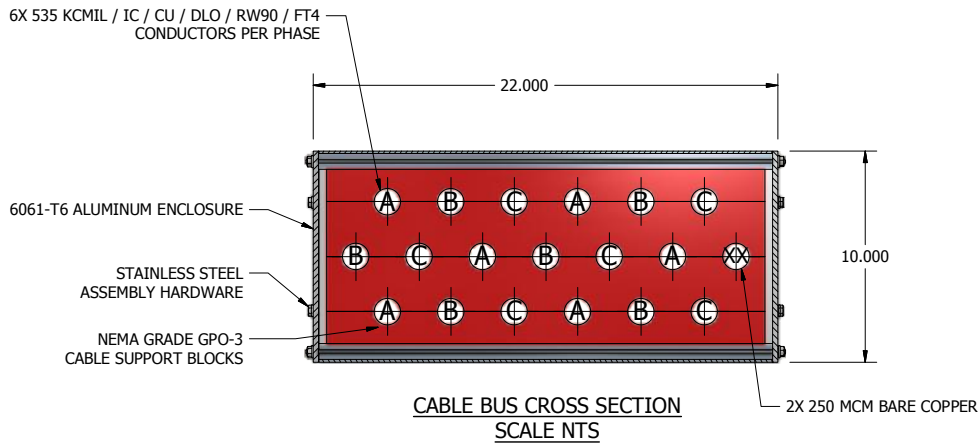
RATED NOMINAL VOLTAGE: 600V NO. OF PHASES 3 NO. OF WIRES 3 FREQUENCY 60

90°C ALLOWABLE AMPACITY: 4410 BASED ON AMBIENT TEMPERATURE OF 30°C

75°C ALLOWABLE AMPACITY: 3902 BASED ON AMBIENT TEMPERATURE OF 30°C

MAXIMUM CONTINUOUS CURRENT RATING: 3317 WHEN CONNECTED TO A 100% CONTINUOUS RATED OVERCURRENT DEVICE

MAXIMUM CONTINUOUS CURRENT RATING: 2731 WHEN CONNECTED TO A 80% CONTINUOUS RATED OVERCURRENT DEVICE



THIS DRAWING IS PROPRIETARY OF POWER BUS WAY LIMITED AND MUST NOT BE REPRODUCED IN WHOLE OR IN PART OR MODIFIED IN ANY MANNER. THIS DRAWING MUST BE RETURNED TO POWER BUS WAY LIMITED IMMEDIATELY UPON REQUEST.

TOLERANCE UNLESS OTHERWISE SPECIFIED

X..... ± 0.15"

XX..... ± 0.10"

XXX..... ± 0.05"

FRACTIONS..... ± 1/32

ANGLES..... ± 30°

CONCENTRICITY..... AS NOTED

SQUARENESS..... AS NOTED

PARALLEL..... AS NOTED

POWERBUSWAY

5 Strathearn Avenue
 Brampton, Ontario, L6T 4P1

Phone: 905-792-9333
 Fax: 905-789-0510

FILE NAME: 6V3A3P3W-3 Row Template B.dwg

PROJECT: STANDARD SYSTEMS
 DRAWING: 600V / 3000A / 3 PHASE / 3 WIRE

DESIGNED BY: M.WARD
 CHECKED BY: B.BARRETT

DRAWN BY: M.WARD
 APPROVED BY: M.WARD

DATE: 3/25/2014
 SHEET No. 1 OF 1

SCALE NTS

REV. 0

SIZE B